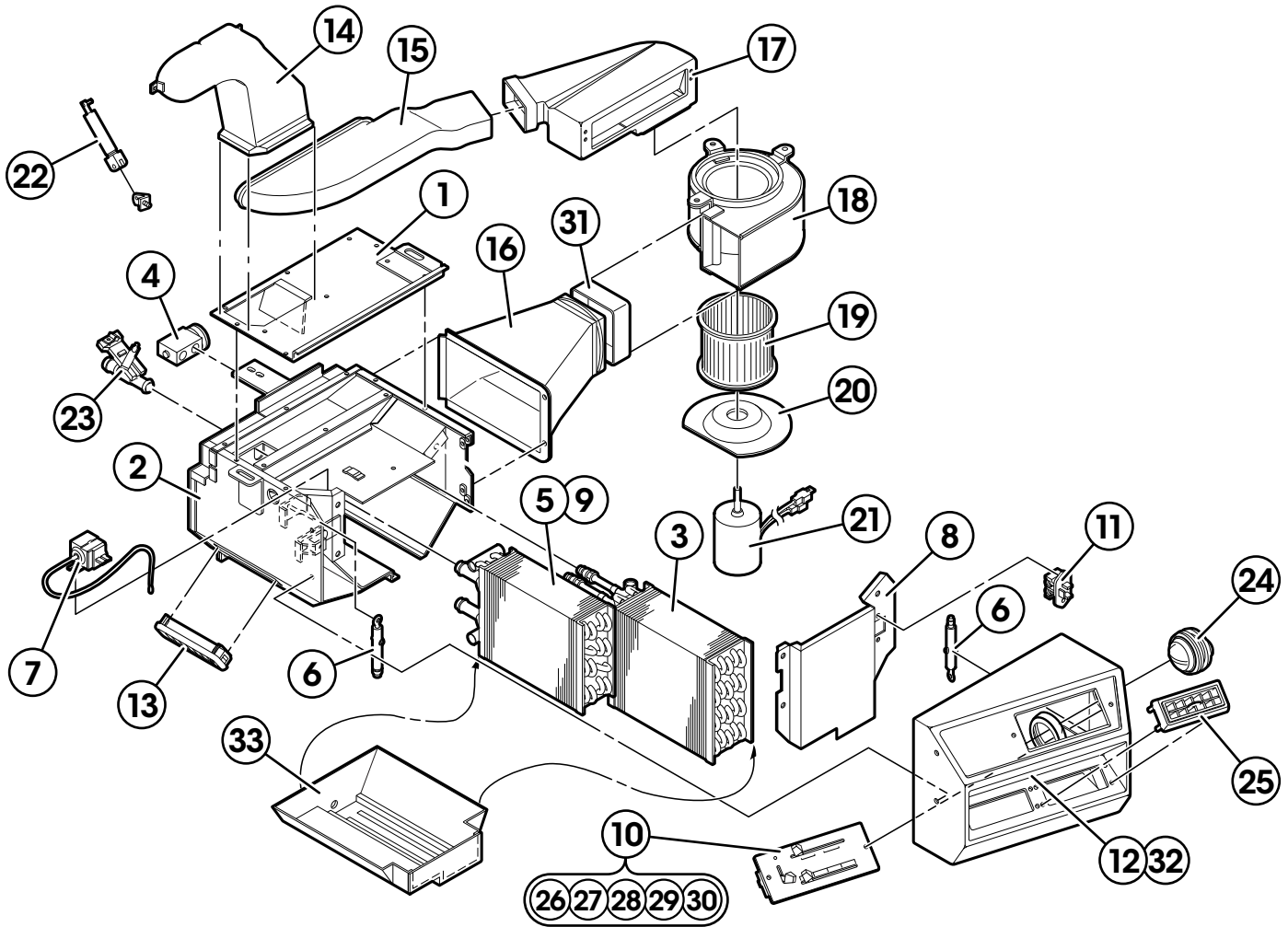


# Orion VII Bus Heater Assembly Model R-6145-2,-3

**MACK "R" SERIES**

**SERVICE PARTS LIST**



| ITEM | NOTE | PART NO.     | DESCRIPTION                     | CAT. NO. |
|------|------|--------------|---------------------------------|----------|
| 1    |      | RD-3-3758-0P | Panel Assembly - Top            |          |
| 2    |      | RD-3-3760-1P | Housing Assembly                |          |
| 3    |      | RD-2-1480-1P | Evaporator Assembly             | 76R6180  |
| 4    |      | RD-5-6868-0P | Expansion Valve                 | 71R8301  |
| 5    |      | RD-1-0615-1P | Heater Core Assembly (R-8820-1) | 76R1900  |
| 6    |      | RD-5-5414-2P | Air Actuator Assembly (2)       | 72R1200  |
| 7    |      | RD-4427-24P  | Thermostat                      | 71R3100  |
| 8    |      | RD-3-4143-2P | Cover Assembly - Core           |          |
| 9    | E    | RD-1-0958-0P | Heater Core Assembly            | 76R2010  |
| 10   |      | RD-3-3812-2P | Control Panel Assembly          |          |
| 11   |      | RD-5-3647-0P | Resistor                        | 71R1450  |
| 12   | E    | RD-3-3805-0P | Cover Assembly (Gray)           |          |
| 13   |      | RD-5-5476-0P | Louver                          | 72R2000  |
| 14   |      | RD-5-5458-0P | Duct - Defrost                  |          |
| 15   |      | RD-5-5423-0P | Duct - Fresh Air                |          |
| 16   |      | RD-5-5452-0P | Duct - Transition               |          |
| 17   |      | RD-5-5450-0P | Duct - Intake                   |          |

| ITEM | NOTE | PART NO.      | DESCRIPTION             | CAT. NO. |
|------|------|---------------|-------------------------|----------|
| 18   | F    | RD-3-3430-0P  | Blower Housing Assembly |          |
| 19   | F    | RD-5-5263-0P  | Blower Wheel            | 73R6230  |
| 20   | F    | RD-4101-4P    | Mount - Motor           |          |
| 21   | F    | RD-5-9102-0P  | Motor - 12V             |          |
| 22   |      | RD-3-3955-0P  | Air Actuator Assembly   |          |
| 23   |      | RD-5-7760-2P  | Water Valve             | 72R5230  |
| 24   |      | RD-5-3758-0P  | Louver (2 1/2")         | 72R2550  |
| 25   |      | RD-5-5552-0P  | Louver - A/C (2)        | 72R2140  |
| 26   | A    | RD-3-3813-2P  | Panel Front             |          |
| 27   | A    | RD-5-4450-0P  | Knob (3)                | 71R4035  |
| 28   | A    | RD-5-8490-0P  | Micro Switch            | 71R1610  |
| 29   | A    | RD-5-4694-1P  | Switch - Fan            | 71R0450  |
| 30   | A    | RD-5-6667-46P | Cable - Control         | 72R8315  |
| 31   | F    | RD-3-3590-0P  | Boot - Transition       |          |
| 32   |      | RD-3-3805-1P  | Cover Assembly (Tan)    |          |
| 33   |      | RD-3-8227-0P  | Pan                     |          |
| 34   | A,E  | RD-3-8227-1P  | Pan                     |          |

**NOTES:** A= Not shown B=for R-8150-0 unit only C=for R-8151-1 unit only D=for R-8820-0 unit only E=for R-8820-2 unit only  
F=Can be purchased assembled as RD-3-3425-0

**RED DOT CORPORATION**

P.O.Box 58270 Seattle, WA 98138 (206) 575-3840 AMCustomerService@RedDotCorp.com

RD-3-3804-2 (REV E) Sheet 1 of 2

FOR REFERENCE ONLY. SUBJECT TO CHANGE WITHOUT NOTICE